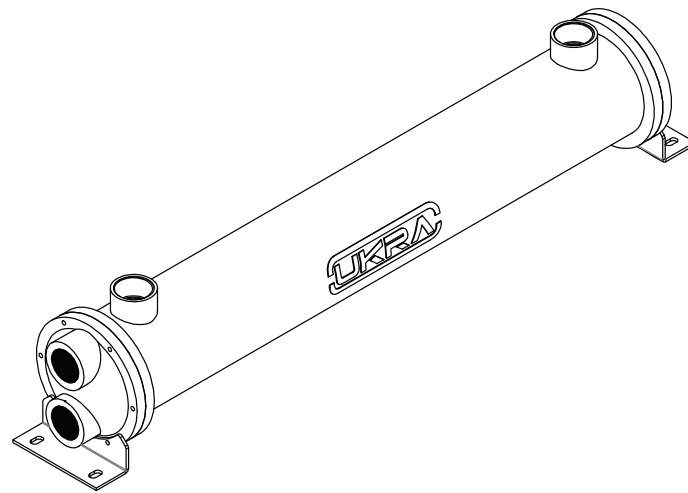
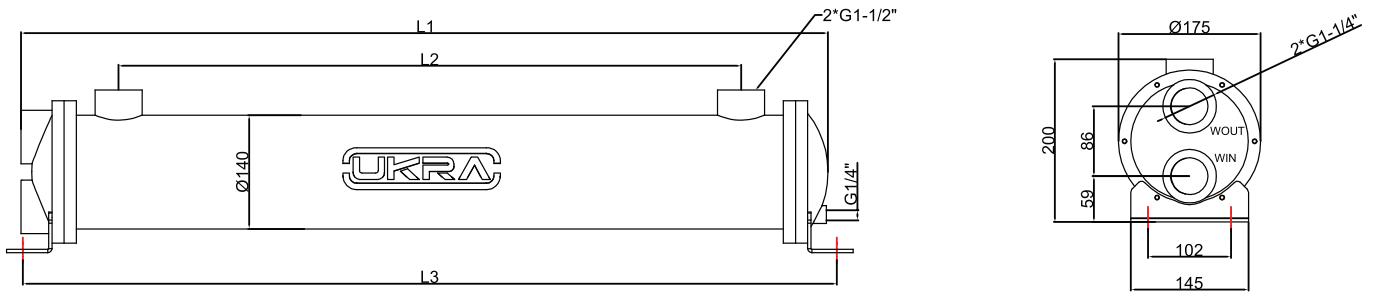


USS-06/09



PRODUCT	OIL FLOW	MAX COOLING CAPACITY	PRESSURE OIL	PRESSURE WATER	COOLING SURFACE	L1	L2	L3
	L/min	KW	Bar	Bar	m ²	mm	mm	mm
USS06-T	200	40	16	10	4,4 m ²	383	157	392
USS07-T	200	60	16	10	6,7 m ²	536	309	544
USS08-T	200	100	16	10	13,7 m ²	993	766	1002
USS09-T	200	120	16	10	15,0 m ²	1093	875	1102