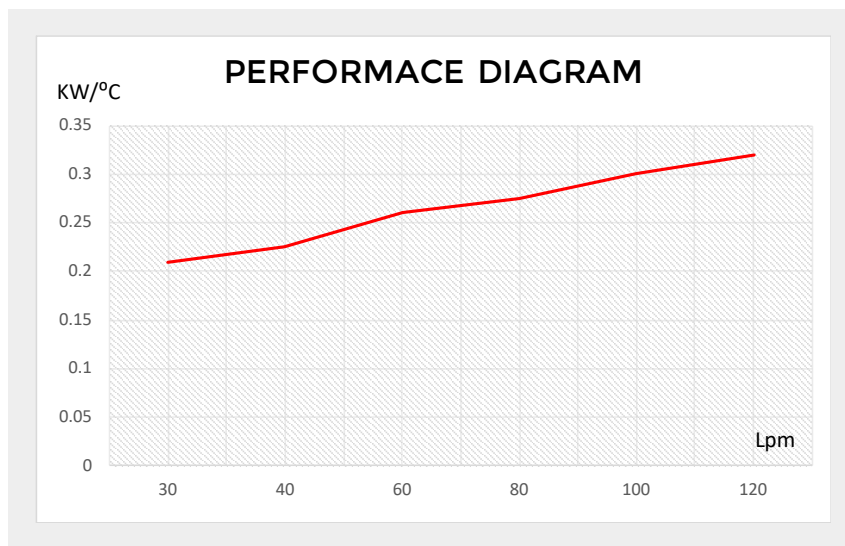
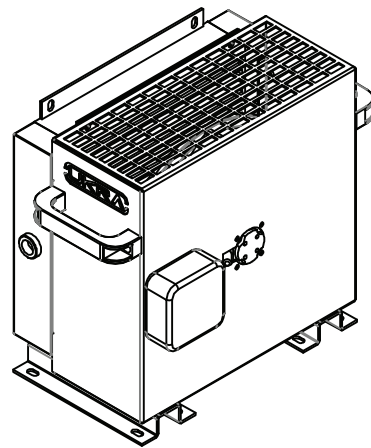
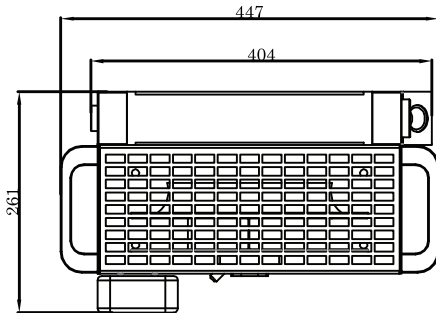
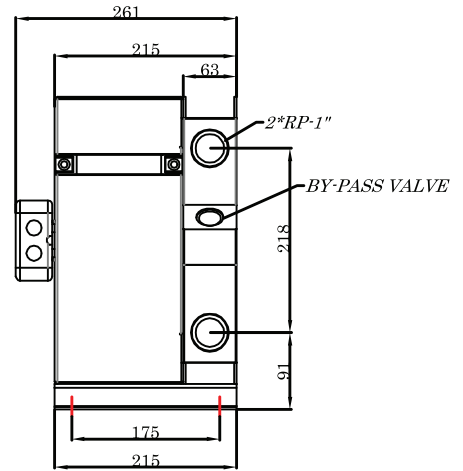
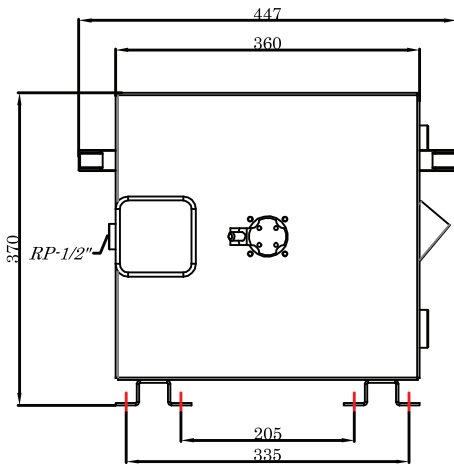


USH-C15-01



PRODUCT	OIL FLOW MAX	MAX COOLING CAPACITY	VOLTAGE	POWER	AIR	Ø FAN	FAN SPEED	ELECTRIC PROTECTION	NOISE LEVEL	CAPACITY	WEIGHT
	L/min	KW	V	W	m ³ /h	mm	RPM	IP	dB	L	Kg
USH - C15	60 - 120	17,5	230 AC	200	1.850	ø280	2.600	44	52	2,3	13