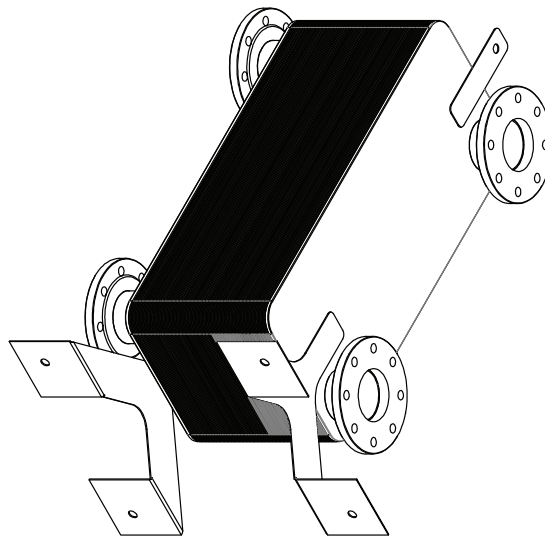
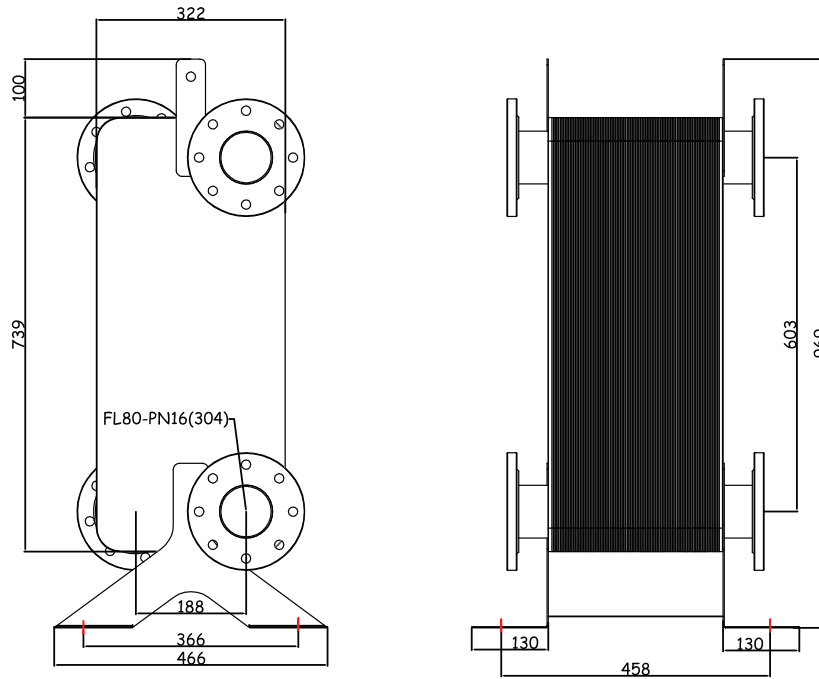


**UPP-05**



PRODUCT	OIL FLOW	MAX COOLING CAPACITY	NUMBER OF PLATE	PRESSURE	SIZES	B	CONNECTORS	CAPACITY	WEIGHT
	L/min	KW	QTY	Bar	mm	mm	-	L	Kg
UPP05-100A	1200	400	100	30	739X322X298	298	FL80-PN16	40	95