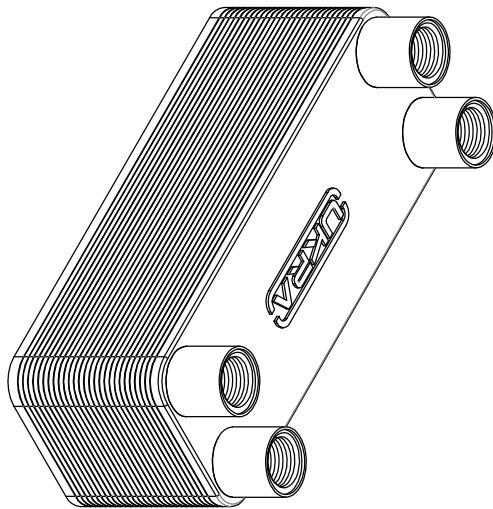
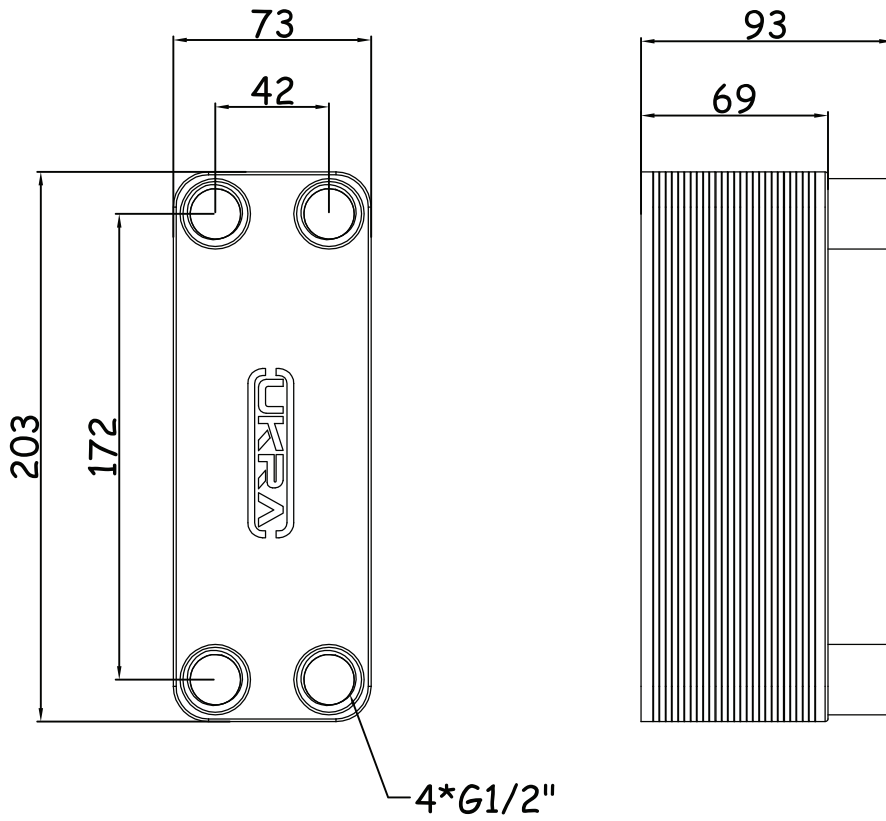


UPP-01



PRODUCT	OIL FLOW	MAX COOLING CAPACITY	NUMBER OF PLATE	PRESSURE	SIZES	B	CONNECTORS	CAPACITY	WEIGHT
	L/min	KW	QTY	Bar	mm	mm	-	L	Kg
UPP01-26A	80	20	26	30	233X73X69	69	G 1/2"	0,5	1,75