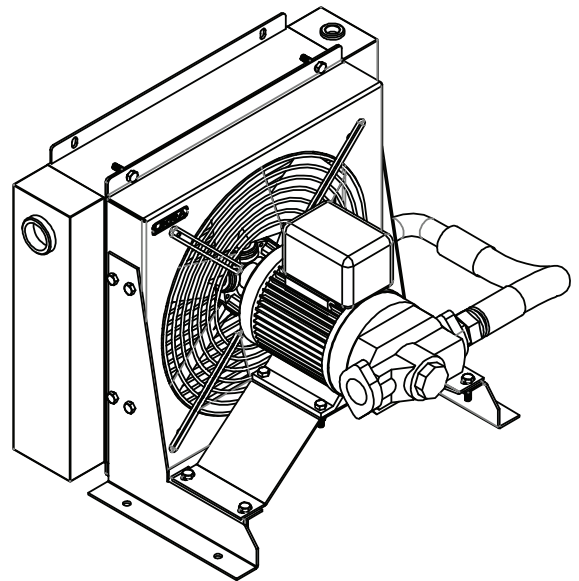
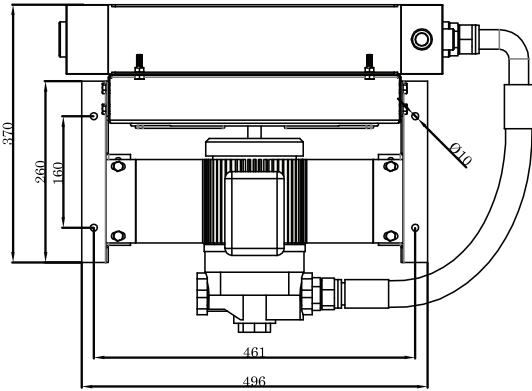
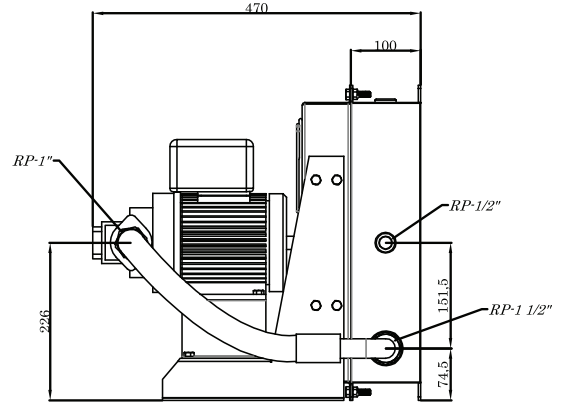
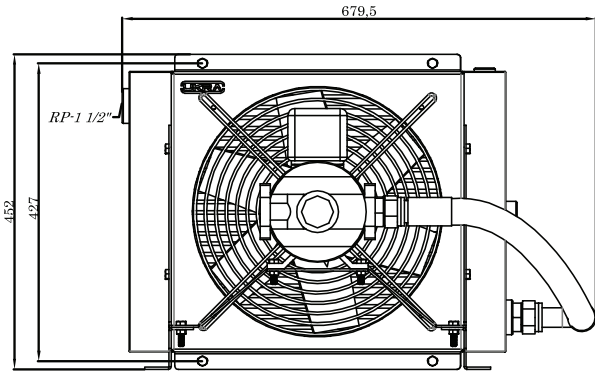


UPM-A19-01/02



PRODUCT	OIL FLOW	MAX COOLING AT ΔT=40°C	VOLTAGE	POWER	AIR FLOW	Ø FAN	FAN SPEED	ELECTRIC PROTECTION	CAPACITY	WEIGHT
	L/min	KW	V	KW	m³/h	mm	RPM	IP	L	Kg
UPM - A19	55	17	230 - 400	1,5	4.080	350	1.500	55	9	42