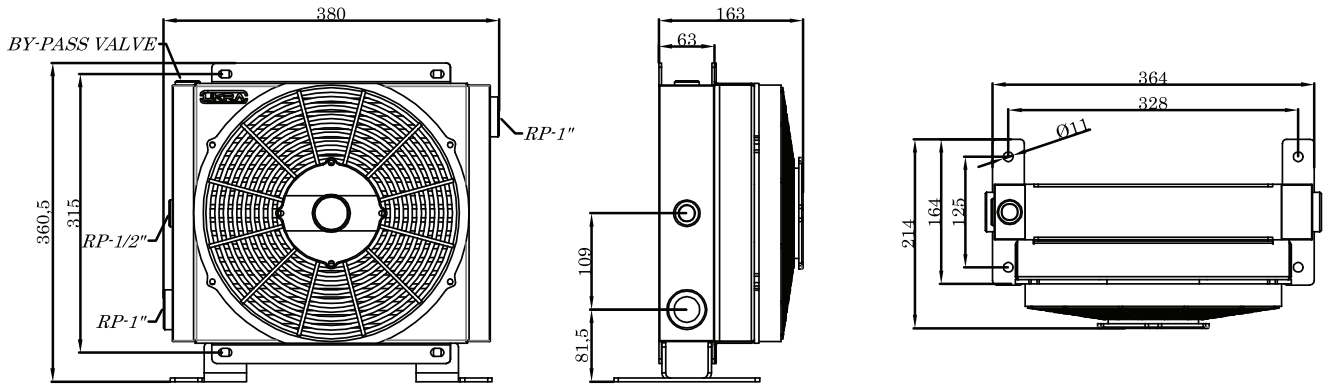
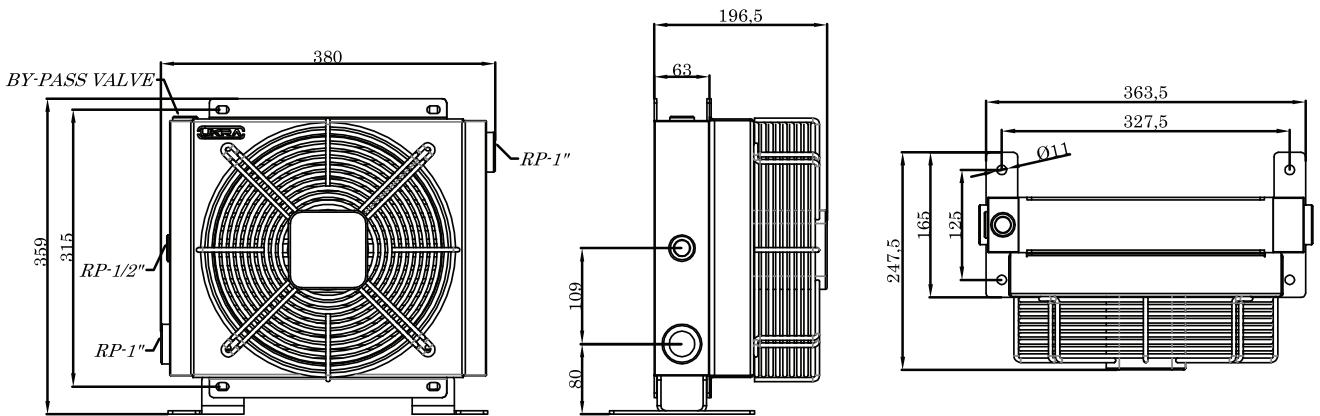


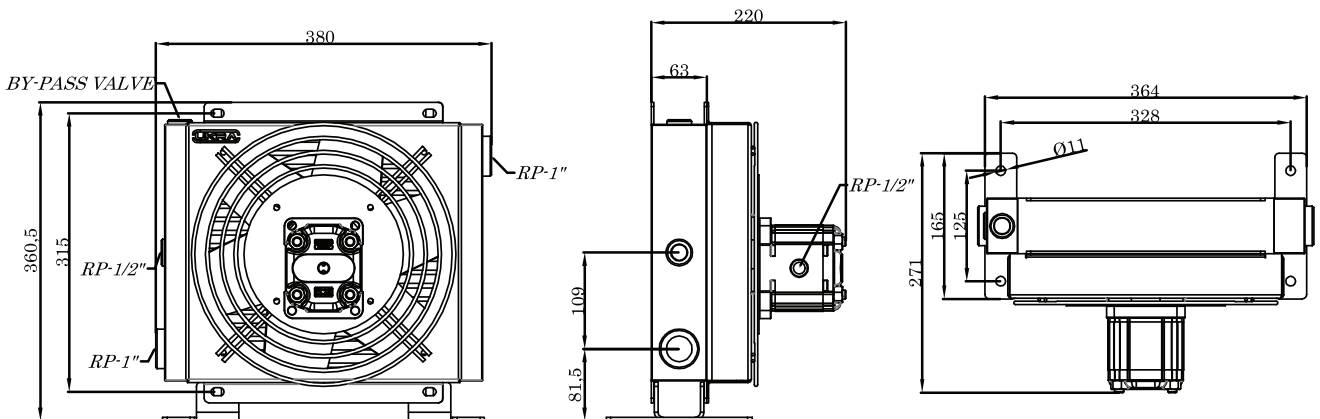
UMB-A15-12/24



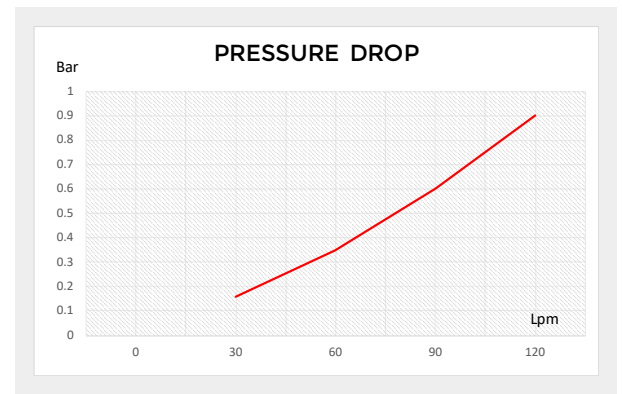
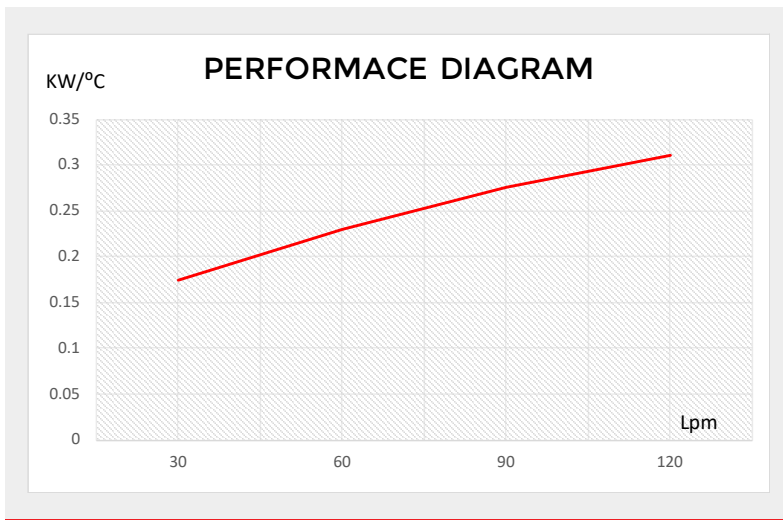
UMB-A15-01/02



UMB-A15-03

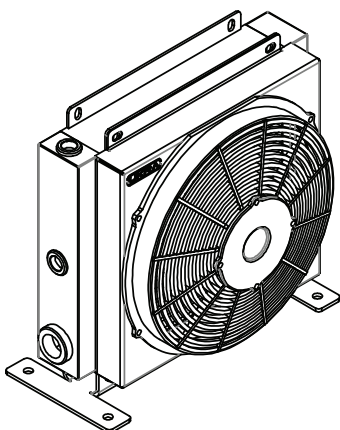


PRODUCT	OIL FLOW MIN-MAX	MAX COOLING CAPACITY	VOLTAGE	POWER	AIR	Ø FAN	FAN SPEED	ELECTRIC PROTECTION	CAPACITY	WEIGHT
	L/min	KW	V	W	m³/h	mm	RPM	IP	L	Kg
UMB - A15 - 12/24	60 - 120	14	12/24 DC	130	1400	ø280	2640	68	2.3	8
UMB - A15 - 01/02	60 - 120	14	230/400 AC	50	1,000	ø250	1,380	54	2.3	10
UMB - A15 - 03	60 - 120	14	-	-	1,480	ø250	1,500	-	2.3	10

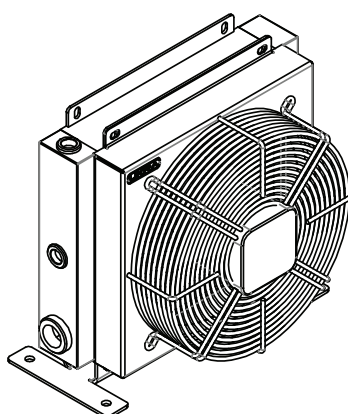


cSt	10	15	20	30	40	50	60	80	100	200	300
Pd	0.5	0.65	0.77	1	1.2	1.4	1.6	1.9	2.1	3.3	4.3

UMB-A15-12/24



UMB-A15-01/02



UMB-A15-03

