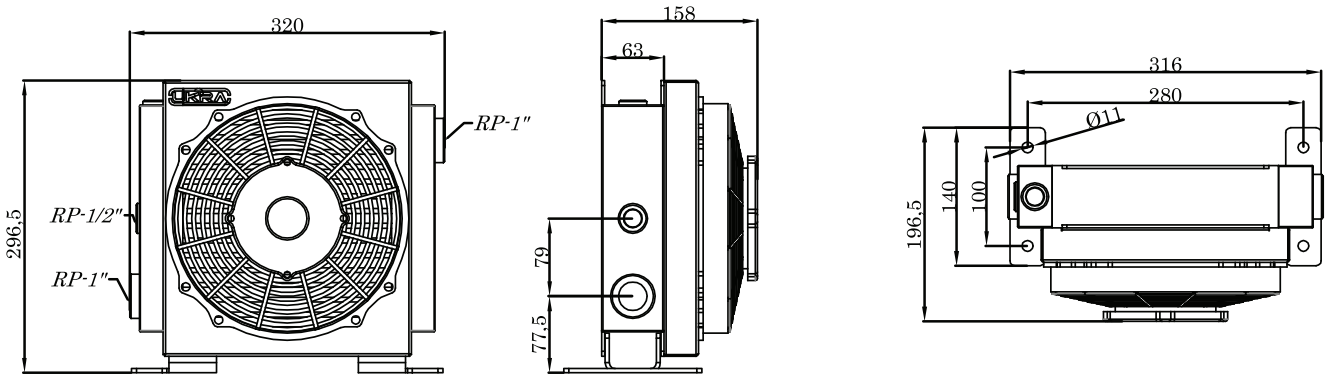
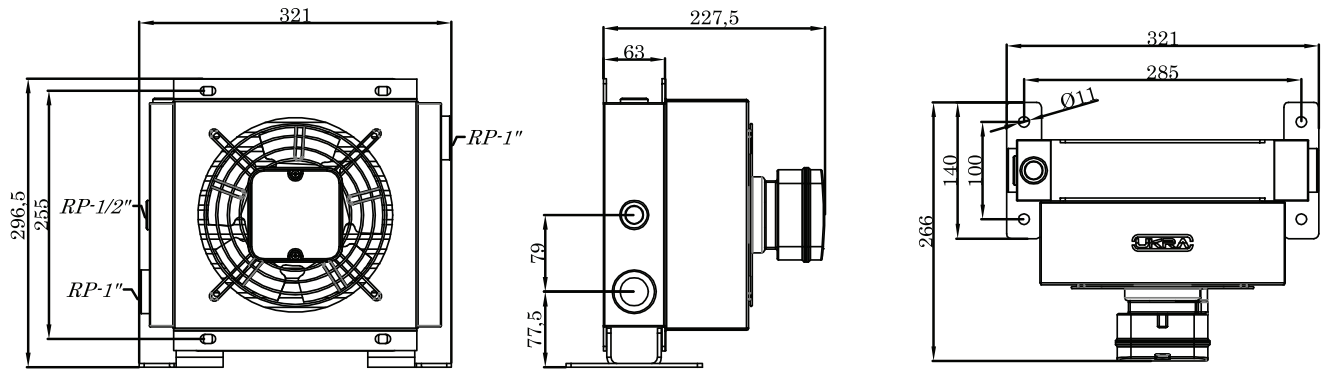


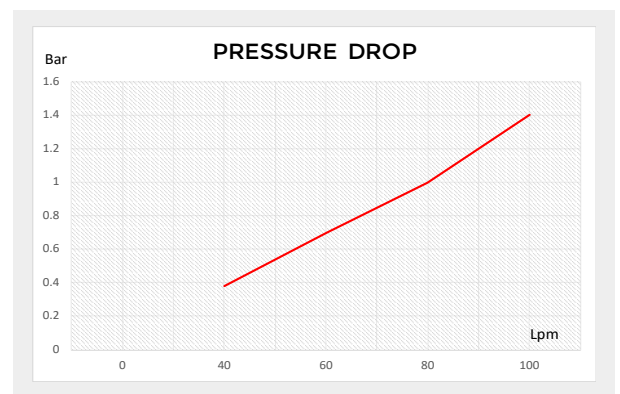
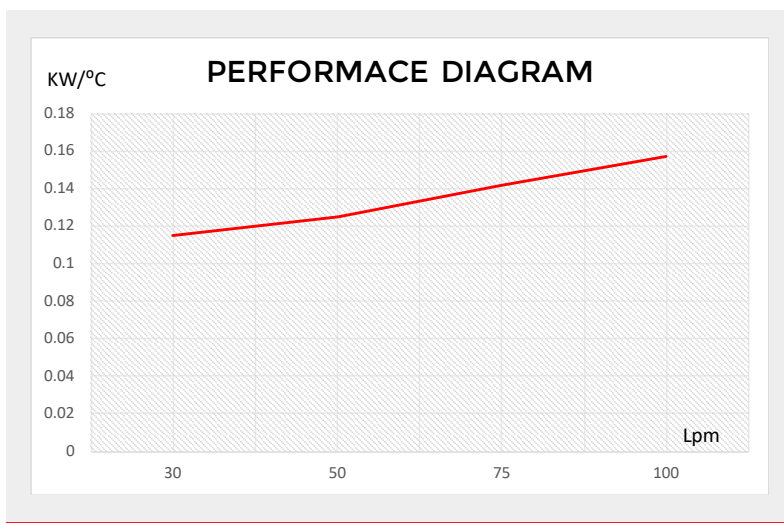
UMB-A14-12/24



UMB-A14-01

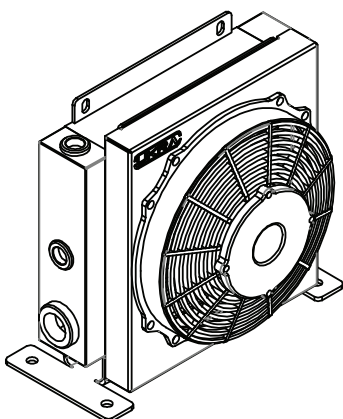


PRODUCT	OIL FLOW MIN-MAX	MAX COOLING CAPACITY	VOLTAGE	POWER	AIR	Ø FAN	FAN SPEED	ELECTRIC PROTECTION	CAPACITY	WEIGHT
	L/min	KW	V	W	m³/h	mm	RPM	IP	L	Kg
UMB - A14 - 12/24	40 - 100	10	12/24 DC	130	1,060	ø225	3,400	68	1.7	6.3
UMB - A14 - 01	40 - 100	10	230 AC	63	680	ø200	2,750	44	1.7	6.5



cSt	10	15	20	30	40	50	60	80	100	200	300
Pd	0.5	0.65	0.77	1	1.2	1.4	1.6	1.9	2.1	3.3	4.3

UMB-A14-12/24



UMB-A14-01

