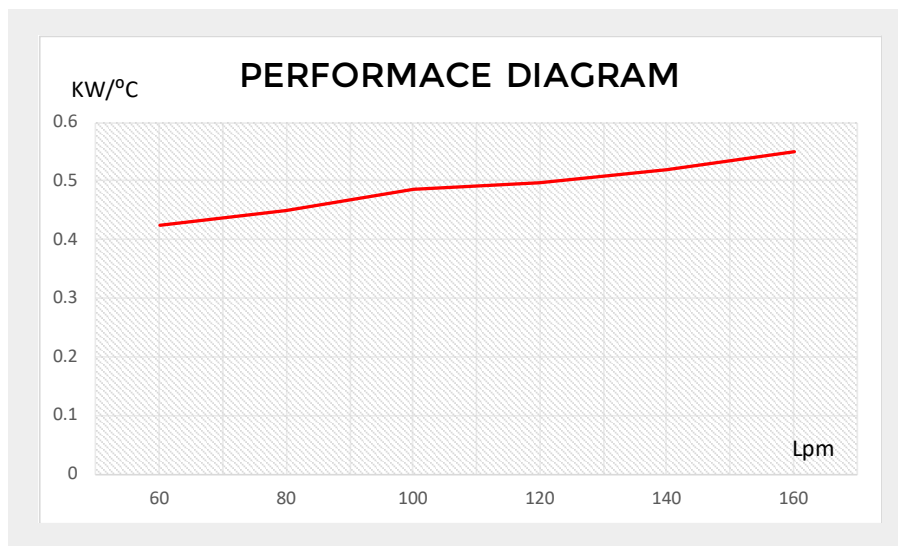
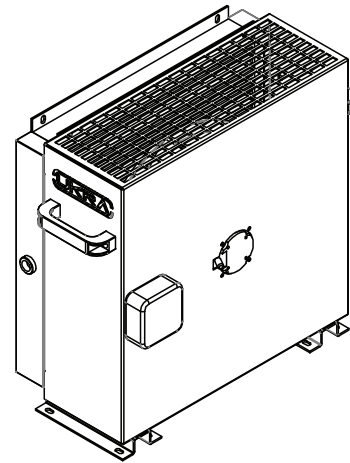
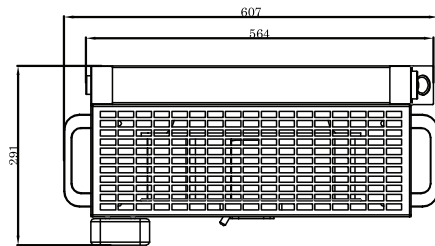
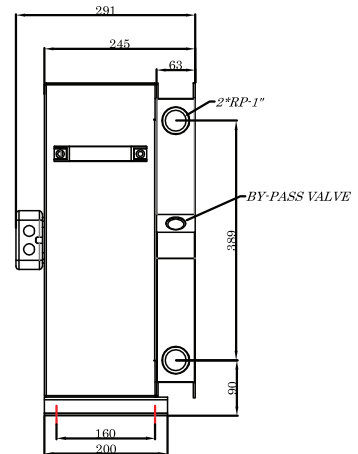
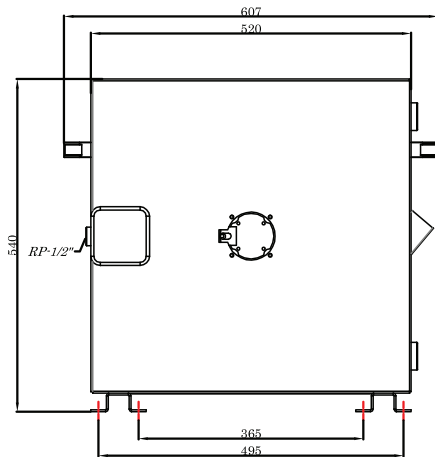


USH-C17-01



PRODUCT	OIL FLOW MAX	MAX COOLING CAPACITY	VOLTAGE	POWER	AIR	Ø FAN	FAN SPEED	ELECTRIC PROTECTION	NOISE LEVEL	CAPACITY	WEIGHT
	L/min	KW	V	W	m ³ /h	mm	RPM	IP	dB	L	Kg
USH - C17	100 - 160	37,5	230 AC	200	3,100	ø355	1,400	44	51	5.7	24