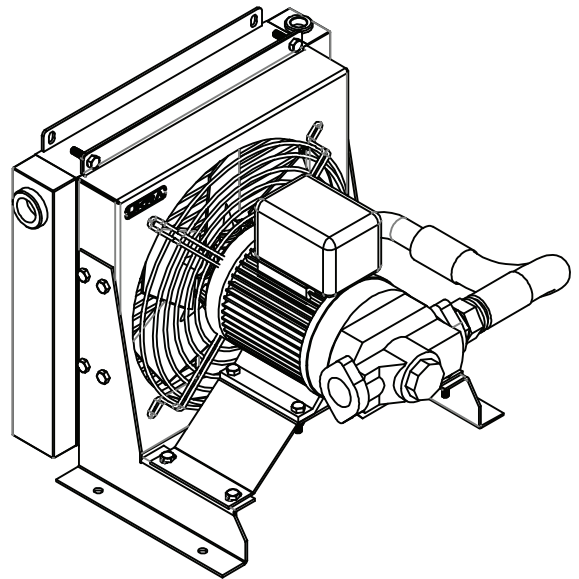
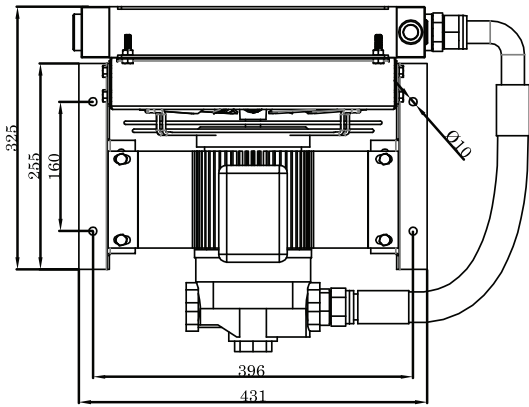
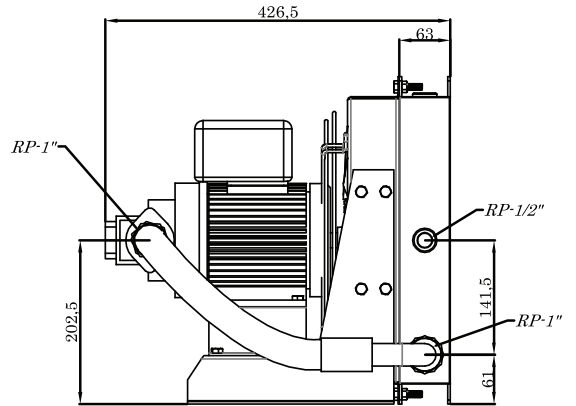
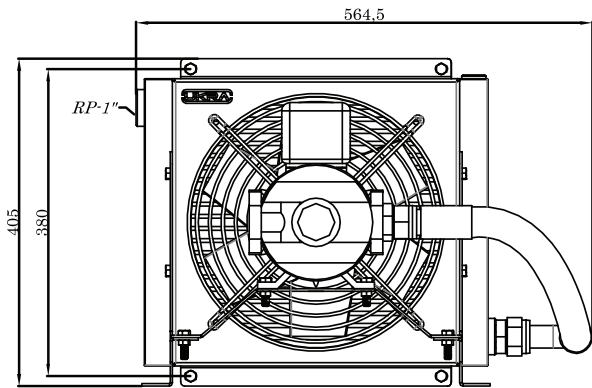


UPM-A16-01/02



PRODUCT	OIL FLOW	MAX COOLING AT $\Delta T=40^{\circ}C$	VOLTAGE	POWER	AIR FLOW	\varnothing FAN	FAN SPEED	ELECTRIC PROTECTION	CAPACITY	WEIGHT
	L/min	KW	V	KW	m ³ /h	mm	RPM	IP	L	Kg
UPM - A16	55	10	230 - 400	1,5	2.390	300	1.500	55	4	28