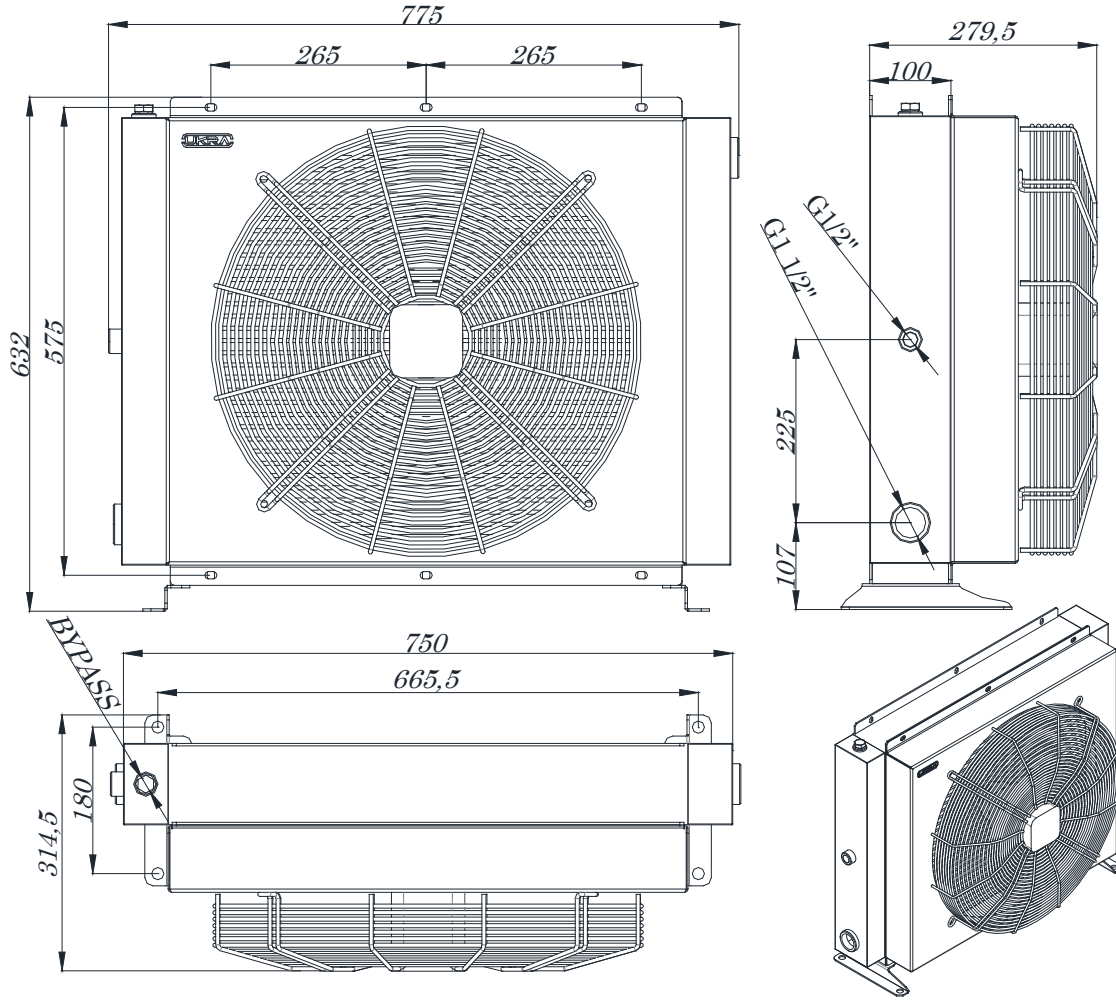
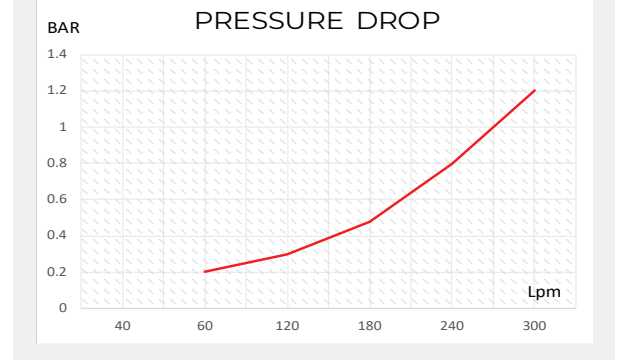
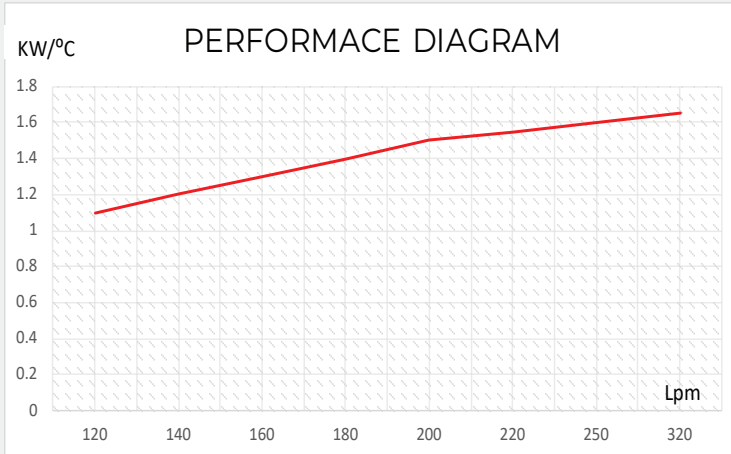


UMB-A20-01/02



PRODUCT	OIL FLOW MIN-MAX	MAX COOLING CAPACITY	VOLTAGE	POWER	AIR	Ø FAN	FAN SPEED	ELECTRIC PROTECTION	CAPACITY	WEIGHT
	L/min	KW	V	W	m <sup>3</sup> /h	mm	RPM	IP	L	Kg
UMB - A20 - 01/02	180 - 300	50	230/400 AC	450	6,900	ø500	1,380	54	14	46



cSt	10	15	20	30	40	50	60	80	100	200	300
Pd	0.5	0.65	0.77	1	1.2	1.4	1.6	1.9	2.1	3.3	4.3